

EMT Strut Strap

SAC-SSE



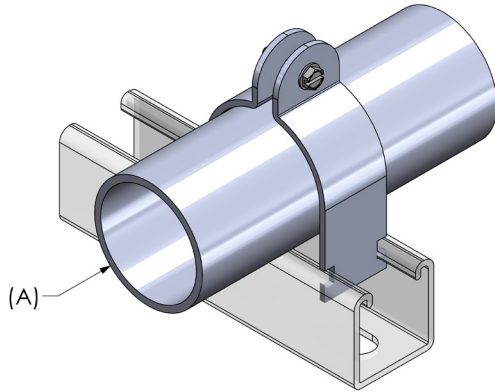
Overview

Rep Materials' strut straps are designed to fit around the EMT conduit and attach to a strut or other mounting surface. They come in various sizes to accommodate different diameters of conduit and are often secured with screws, bolts, or other fasteners.

These straps provide support and stability for the conduit, helping to prevent it from sagging or shifting, and ensuring that electrical wiring remains securely in place.

Specs

- Manufactured to fit standard openings of 1-5/8" strut channel
- Designed in sizes 1/2" thru 4" to support EMT conduit (please specify conduit size when ordering)
- EMT Strut Straps are Electro Galvanized



WEIGHT CHART - EMT STRUT CLAMP

Item	Pipe Size (A)	Weights/PC lbs.	Weights/100 lbs.
SAC-SSE05	1/2"	0.11	11
SAC-SSE07	3/4"	0.12	12
SAC-SSE10	1"	0.15	15
SAC-SSE12	1-1/4"	0.18	18
SAC-SSE15	1-1/2"	0.29	29
SAC-SSE20	2"	0.33	33

Submittal Information

Company Name	Phone	Date
Address	Project Name	Project Date
City	Project City	Comments
State & Zip	Project State	