

# Square Washer

SAC-SW



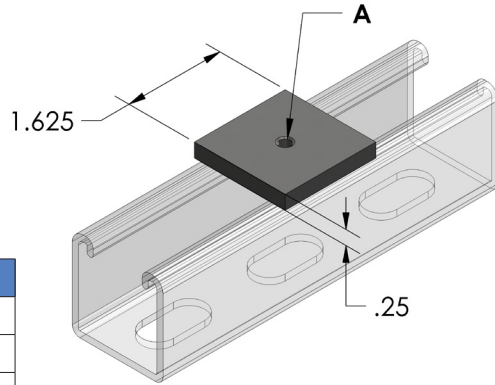
## Overview

Rep Materials' washers are typically square or rectangular in shape, with a hole in the center that matches the diameter of the bolt or threaded rod being used.

Square washers can help align and stabilize the connection between the bolt or threaded rod and the strut channel, ensuring a secure and reliable installation.

## Specs

- Designed to fit 1-5/8" Strut Channel
- Manufactured from Electro Galvanized 1/4" Steel Plate
- Sizes 1/4", 3/8", 1/2"



Name	Thread (A)
SAC-SW02	1/4"
SAC-SW03	3/8"
SAC-SW05	1/2"

## WEIGHT CHART

Square Washers, Straight Plate and Angle Brackets

Name	Item	Size	Weights/PC lbs.	Weights/100 lbs.
Square Washer	SAC-SW02	1/4"	0.18	18
Square Washer	SAC-SW03	3/8"	0.18	18
Square Washer	SAC-SW05	1/2"	0.17	17
4 Hole Straight Plate	SAC-SP4H-725	7 1/4"	0.78	78
Angle Bracket	SAC-AB-162X225	2" X 1 7/8"	0.38	38
Angle Bracket	SAC-AB-200X187	1 5/8" X 2 1/4"	0.38	38
Angle Bracket 90	SAC-AB90-350X225	4 1/8" X 1 5/8"	0.58	58
Angle Bracket 90	SAC-AB90-412X162	3 1/2" X 2 1/4"	0.66	66
Angle Bracket 90	SAC-AB90-412X350	4 1/8" x 3 1/2"	0.78	78
L Bracket 3 Hole	SAC-LB3H-350X350	3 1/2" X 3 1/2"	0.78	78

## Submittal Information

Company Name	Phone	Date
Address	Project Name	Project Date
City	Project City	Comments
State & Zip	Project State	