

Four Hole Straight Plate

SAC-SP4H-725



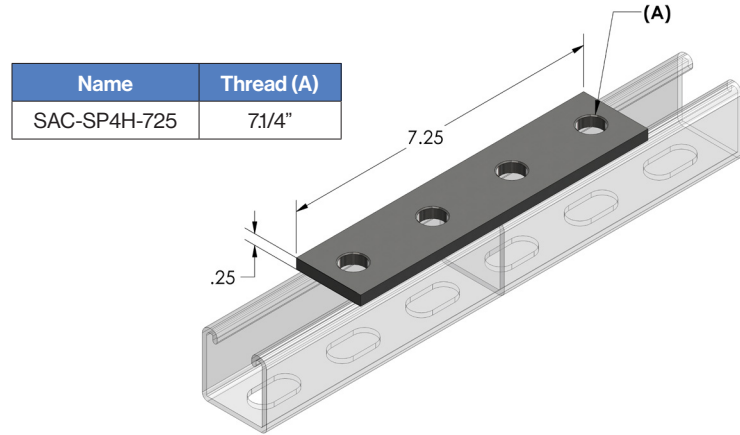
Overview

A four-hole splice plate for strut is a flat, rectangular metal piece designed for connecting two sections of strut channel in a secure and aligned manner.

The splice plate is engineered to maintain the structural integrity and alignment of the strut channels, facilitating the construction of versatile support frameworks used in electrical, mechanical, and industrial applications. Its design allows for easy installation, making it a fundamental component in the assembly of strut channel systems.

Specs

- Designed to fit 1-5/8" Strut Channel
- Manufactured from Electro Galvanized 1/4" Steel Plate
- Hole Spacing (On-Center): 17/8" (48mm)
- Conforms to ASTM B633, Type III SC1



WEIGHT CHART

Square Washers, Straight Plate and Angle Brackets

| Name | Item | Size | Weights/PC lbs. | Weights/100 lbs. |
|-----------------------|------------------|-----------------|-----------------|------------------|
| Square Washer | SAC-SW02 | 1/4" | 0.18 | 18 |
| Square Washer | SAC-SW03 | 3/8" | 0.18 | 18 |
| Square Washer | SAC-SW05 | 1/2" | 0.17 | 17 |
| 4 Hole Straight Plate | SAC-SP4H-725 | 7.1/4" | 0.78 | 78 |
| Angle Bracket | SAC-AB-162X225 | 2" X 1.7/8" | 0.38 | 38 |
| Angle Bracket | SAC-AB-200X187 | 1.5/8" X 2.1/4" | 0.38 | 38 |
| Angle Bracket 90 | SAC-AB90-350X225 | 4.1/8" X 1.5/8" | 0.58 | 58 |
| Angle Bracket 90 | SAC-AB90-412X162 | 3.1/2" X 2.1/4" | 0.66 | 66 |
| Angle Bracket 90 | SAC-AB90-412X350 | 4.1/8" x 3.1/2" | 0.78 | 78 |
| L Bracket 3 Hole | SAC-LB3H-350X350 | 3.1/2" X 3.1/2" | 0.78 | 78 |

Submittal Information

| | | |
|--------------|---------------|--------------|
| Company Name | Phone | Date |
| Address | Project Name | Project Date |
| City | Project City | Comments |
| State & Zip | Project State | |