

# Single Channel Post Base

SAC-BPSC



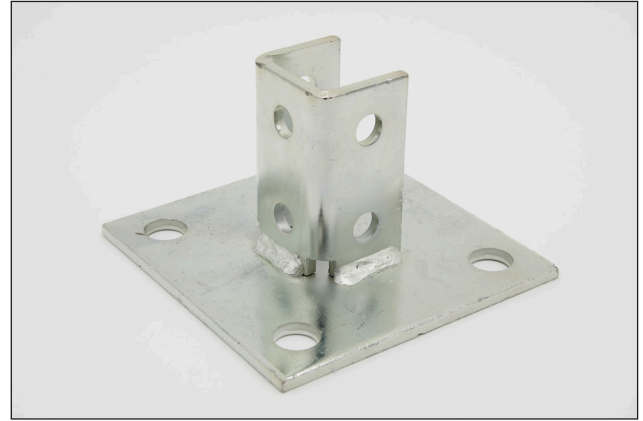
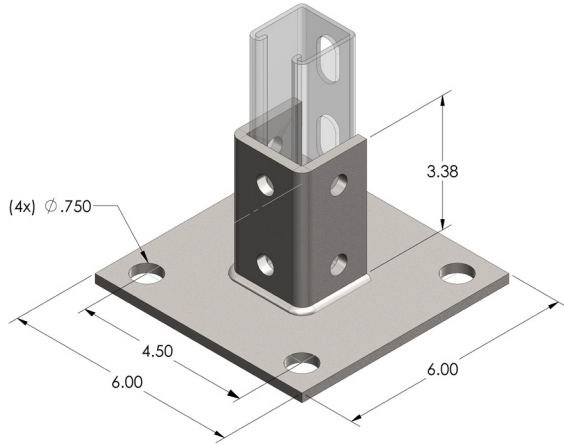
## Overview

Rep Materials' single channel post base is a type of structural connector used in construction to secure and support steel strut. The base is usually attached to a concrete footing or other stable surface using anchors or bolts.

This type of post base provides stability and strength to the structure by anchoring the post firmly to the ground or supporting surface.

## Specs

- Designed to fit 1-5/8" Strut Channel
- Manufactured from 1/4" Electro Galvanized Steel



## WEIGHT CHART

Beam Clamp, U-Bolt Beam Clamp, Spring and Plain Channel Nut, Single and Double Channel Base Plate

Name	Item	Size	Weights/PC lbs.	Weights/100 lbs.
Beam Clamp	SAC-BCF	3/8"	0.95	95
U-Bolt Beam Clamp	SAC-BCUB338	3-3/8" X 2-1/2"	0.83	83
Spring Nut Long	SAC-SNL02	1/4"	0.08	8
Spring Nut Long	SAC-SNL03	3/8"	0.10	10
Spring Nut Long	SAC-SNL05	1/2"	0.12	12
Plain Channel Nut	SAC-PCN02	1/4"	0.07	7
Plain Channel Nut	SAC-PCN03	3/8"	0.10	10
Plain Channel Nut	SAC-PCN05	1/2"	0.12	12
Single Channel Base Plate	SAC-BPSC	6" x 6"	3.73	373
Double Channel Base Plate	SAC-BPDC	6" x 6"	4.08	408

## Submittal Information

Company Name	Phone	Date
Address	Project Name	Project Date
City	Project City	Comments
State & Zip	Project State	