

# Three Hole 90° Bracket

SAC-AB90



## Overview

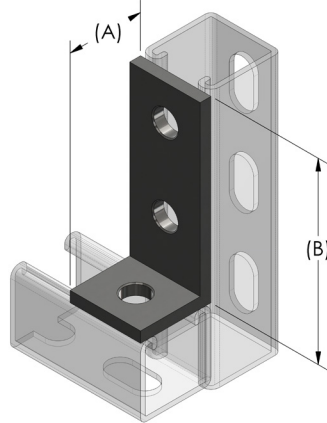
Rep Materials' Three Hole 90° Bracket for strut is an essential component designed for creating secure and precise 90-degree connections within strut channel assemblies.

Its L-shaped form features three strategically placed holes, allowing for versatile and robust fastening options that ensure a stable and strong connection between strut channels. The additional hole provides enhanced flexibility and reinforcement for the joint.

## Specs

- Designed to fit 1-5/8" Strut Channel
- Manufactured from Electro Galvanized 1/4" Steel Plate
- Hole Spacing (On-Center): 17/8" (48mm)
- Conforms to ASTM B633, Type III SC1

Item	(A)	(B)
SAC-AB90-350X225	4.1/8" X 1.5/8"	4.1/8" X 1.5/8"
SAC-AB90-412X162	3.1/2" X 2.1/4"	3.1/2" X 2.1/4"
SAC-AB90-412X350	4.1/8" x 3.1/2"	4.1/8" x 3.1/2"



## WEIGHT CHART

Square Washers, Straight Plate and Angle Brackets

Name	Item	Size	Weights/PC lbs.	Weights/100 lbs.
Square Washer	SAC-SW02	1/4"	0.18	18
Square Washer	SAC-SW03	3/8"	0.18	18
Square Washer	SAC-SW05	1/2"	0.17	17
4 Hole Straight Plate	SAC-SP4H-725	7.1/4"	0.78	78
Angle Bracket	SAC-AB-162X225	2" X 1.7/8"	0.38	38
Angle Bracket	SAC-AB-200X187	1.5/8" X 2.1/4"	0.38	38
Angle Bracket 90	SAC-AB90-350X225	4.1/8" X 1.5/8"	0.58	58
Angle Bracket 90	SAC-AB90-412X162	3.1/2" X 2.1/4"	0.66	66
Angle Bracket 90	SAC-AB90-412X350	4.1/8" x 3.1/2"	0.78	78
L Bracket 3 Hole	SAC-LB3H-350X350	3.1/2" X 3.1/2"	0.78	78

## Submittal Information

Company Name	Phone	Date
Address	Project Name	Project Date
City	Project City	Comments
State & Zip	Project State	